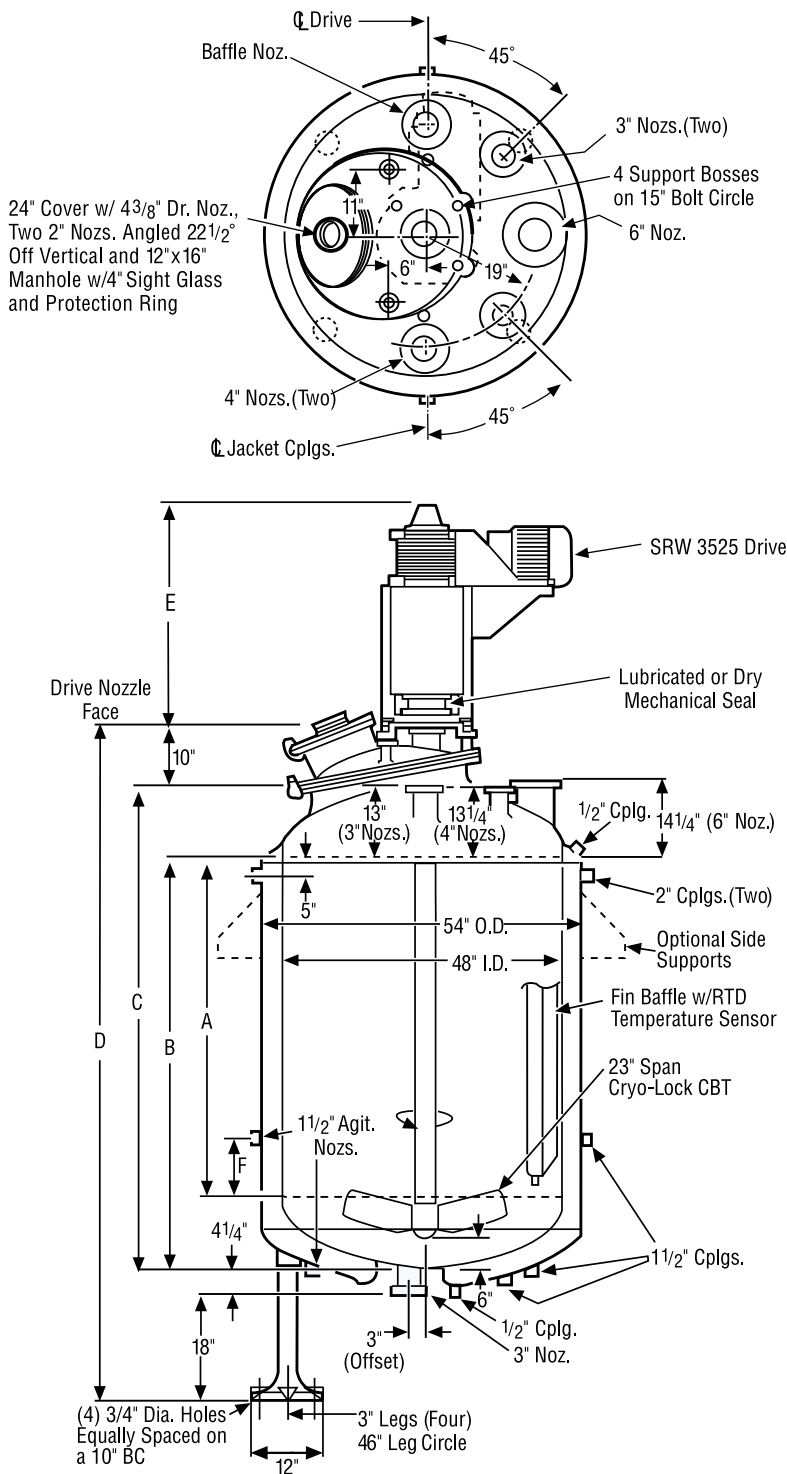


RA-48 Series Reactors

Data Sheet DS81-100A-2



Standard Specifications

Capacity (gallons)	300	500
Working	300	500
Per Inch of S.S.	7.83	7.83
Bottom Head	63	63
Top Head	63	63
To Bottom of Impeller	20	20
To Top of Impeller Hub	54	54
To Bottom of Baffle	96	96
Jacket	75	110

Heating Area (square feet)

Jacket	53	80
Bottom Head	17.4	17.4
Per Inch of S.S.	1.05	1.05

Design Pressure

Internal @ 450°F	100/FV	100/FV
Jacket @ 450°F	100	100

Steel Thickness (inches)

Inner Vessel		
Top Head	5/8	5/8
Shell	5/8	5/8
Bottom Head	5/8	5/8
Jacket		
Shell	3/8	3/8
Bottom Head	3/8	3/8

Weight (pounds)

Net - No Accessories	3250	4350
W/SRW Drive, Agit, Baffle	4500	5800
Add for Shipment	150	150

Dimensions

A	33"	58"
B	45"	70"
C	57"	82"
D	89 5/8"	114 5/8"
E SRW w/ seal	38 5/8"	38 5/8"
F	4"	10"



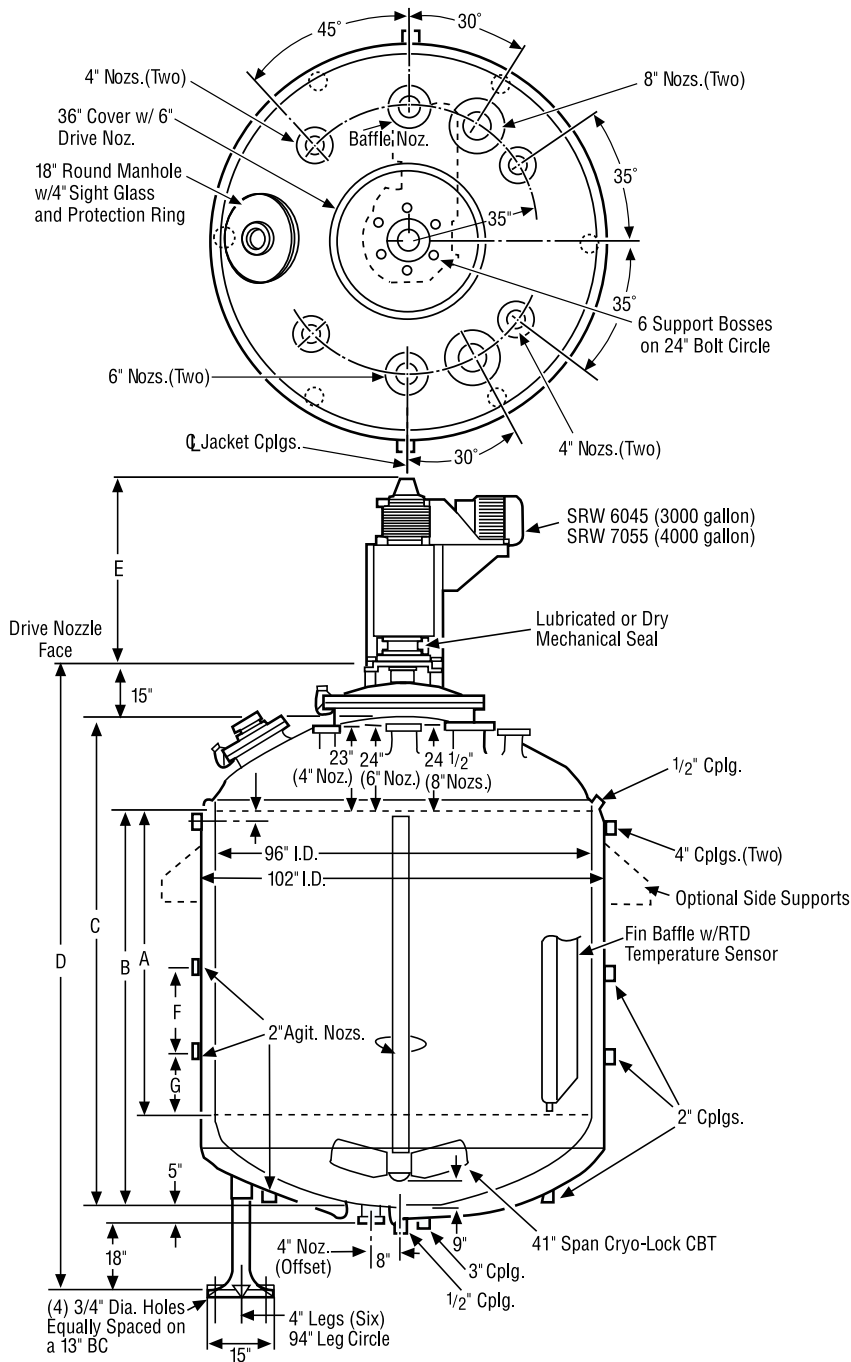
1000 West Avenue
 PO Box 23600
 Rochester, NY 14692-3600
 Phone: 716 235 1000
 Fax: 716 423 9644
 www.pfaudler.com

The data and commentary presented herein are based on test information and field experience by Pfaudler, Inc. They are believed to be reliable, but do not express or imply warranty or performance guarantee. Since process conditions vary widely, Pfaudler, Inc. expressly disclaims any warranty, expressed or implied of fitness for any specific purpose in connection with the information contained herein.

Copyright ©
 Pfaudler, Inc. 1998
 A Unit of Robbins & Myers, Inc.
 All rights reserved.

RA-96 Series Reactors

Data Sheet DS81-100D-2



Standard Specifications

Capacity (gallons)	3000	4000
Working	3000	4000
Per Inch of S.S.	31.33	31.33
Bottom Head	501	501
Top Head	501	501
To Bottom of Impeller	96	96
To Top of Impeller Hub	336	336
To Bottom of Baffle	619	619
Jacket	366	453

Heating Area (square feet)

Jacket	236	300
Bottom Head	69.4	69.4
Per Inch of S.S.	2.09	2.09

Design Pressure

Internal @ 450°F	100/FV	100/FV
Jacket @ 450°F	90	90

Steel Thickness (inches)

Inner Vessel		
Top Head	15/16	15/16
Shell	1	1
Bottom Head	15/16	15/16
Jacket		
Shell	1/2	1/2
Bottom Head	5/8	5/8

Weight (pounds)

Net - No Accessories	20600	25150
W/SRW Drive, Agit, Baffle	24200	30200
Add for Shipment	900	900

Dimensions

A	77"	109"
B	101"	133"
C	125"	157"
D	163"	195"
E SRW w/ seal	58 3/8"	64 1/4"
F	22"	30"
G	7"	11"



1000 West Avenue
 PO Box 23600
 Rochester, NY 14692-3600
 Phone: 716 235 1000
 Fax: 716 423 9644
 www.pfaudler.com

The data and commentary presented herein are based on test information and field experience by Pfaudler, Inc. They are believed to be reliable, but do not express or imply warranty or performance guarantee. Since process conditions vary widely, Pfaudler, Inc. expressly disclaims any warranty, expressed or implied of fitness for any specific purpose in connection with the information contained herein.

Copyright©
 Pfaudler, Inc. 1998
 A Unit of Robbins & Myers, Inc.
 All rights reserved.