



Nutsche Filter

Data Sheet DS19-100-1



Nutsche Filter showing the glass-lined interior, filter plate assembly and hydraulic lift stand.

Introduction

Nutsche Filters provide efficient liquid/solid separation in a completely non-metallic environment.

Nutsche Filters are made of Glasteel®, a versatile material of construction which combines inert glass on the inside surface for complete product protection with steel outside for structural strength. Because of this Glasteel construction, these filters:

- Provide superior corrosion resistance. Permits the handling of virtually all acids and salts to temperatures of 250°F and often higher. It will also handle alkalis to pH 13 at temperatures up to 212°F. No other material of construction can withstand such a wide range of corrosives.

- Maintain product purity. Glasteel is an inert material. There is no contamination of product purity. Color and taste are not affected.
- Offer fast, thorough cleaning. Another advantage of the smooth glass surface is the ease with which it can be rinsed and cleaned.

Standard Design Features

- Designed, fabricated, inspected and stamped in accordance with Section VIII, Division I of the ASME Boiler and Pressure Vessel Code.
- These closed filters can operate under pressure or vacuum.
- A perforated solid PTFE plate for support of the filter cloth. This assembly is supported by a perforated Glasteel plate.
- The top head is clamped to the shell section and is removable for complete access.

- Jacketed straight side for product heating and cooling.
- A hydraulic lift stand.
- Casters are provided for portability.
- An EZ-Port™ handhole assembly for immediate and easy product additions or sampling. Complete with a sight glass.
- A Hi-Light 80™ high intensity light source for product viewing.

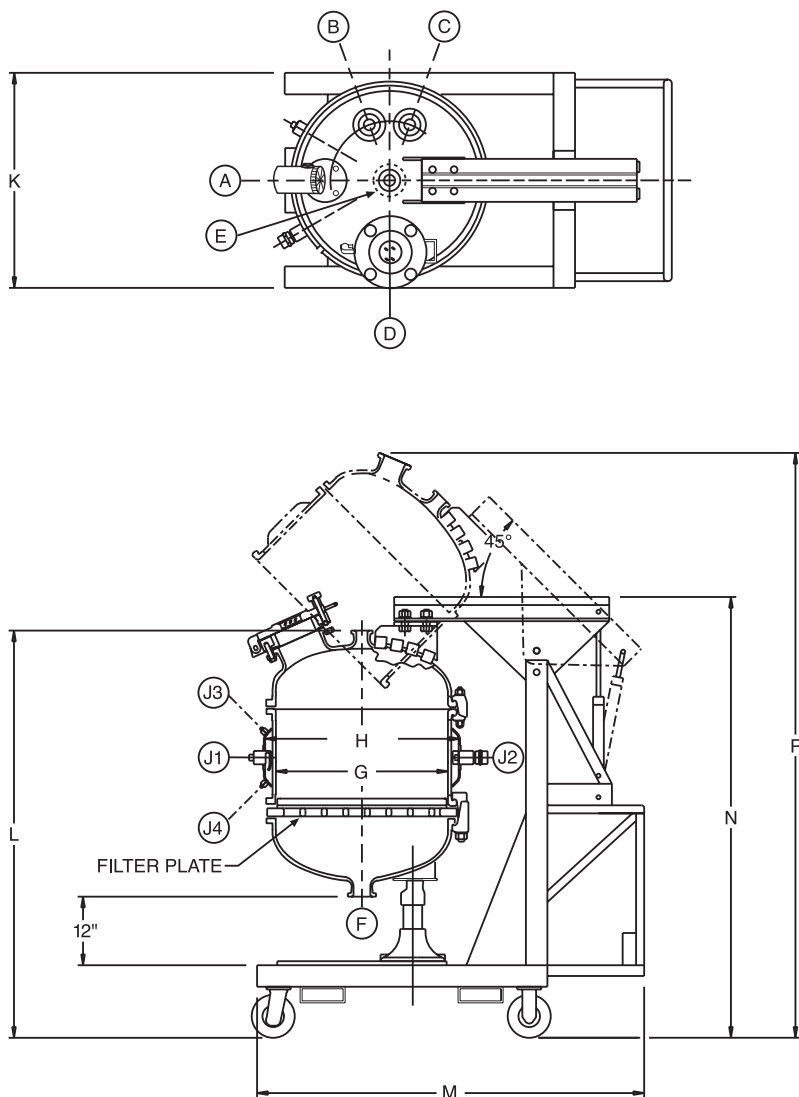
Specifications

- 0.3 (24 inch diameter), 0.5 (32 inch diameter) and 0.8 (40 inch diameter) square meter standard designs.
- 50 psig or full vacuum internal pressure rating. 100 psig or full vacuum jacket pressure rating.
- Pfaunder can provide custom designs if these standard sizes do not meet your specific process conditions.

(Specifications on back)



The glass-lined filter support plate.



Specifications

Model Number FN24 FN32 FN40

Filter Area

Square Meters	0.3	0.5	0.8
Square Feet	3.1	5.6	8.7

Design Pressure (psig)

Internal @ 450°F	50/FV	50/FV	50/FV
Jacket @ 450°F	100/FV	100/FV	100/FV

Nozzles and Jacket Connections (Inches)

A w/ light	2	2	3
B	2	2	3
C	2	2	3
D w/ EZ-Port handhole	4	8	8
E	2	2	3
F	2	3	3
J1, J2	1½	1½	1½
J3, J4	½	½	½

Dimensions (inches)

G (I.D.)	24	32	40
H (I.D.)	28	36	44
K	32	40	48
L	59½	75¾	83½
M	72	72	78
N	65¾	82	89¾
P	91	109	121

Capacity (gallons)

Top Head	3.2	29.0	56.7
Shell	36	63	108
Bottom Head	3.2	29.0	56.7
Per inch of Straight Side	2.0	3.5	5.4
Jacket	5.1	6.0	8.6

Heating Area (square feet)

5.8	7.8	11.5
-----	-----	------

The information contained in this bulletin is believed to be reliable general guidelines for consideration of the products and services described herein. The information is general in nature and should not be considered applicable to any specific process or application. Pfaudler, Inc. and Glasteel® Parts and Services expressly disclaim any warranty, expressed or implied, of fitness for any specific purpose in connection with the information contained herein.



1000 West Avenue
 PO Box 23600
 Rochester, NY 14692-3600
 Phone: 716 235 1000
 Fax: 716 235 6393
www.pfaudler.com

Copyright©
 Pfaudler, Inc. 1999
 A Unit of Robbins & Myers, Inc.
 All rights reserved.
 Glasteel® is a registered
 trademark of Pfaudler, Inc.